



2205



2202



2202 LED



2201



2204



2204G



2204



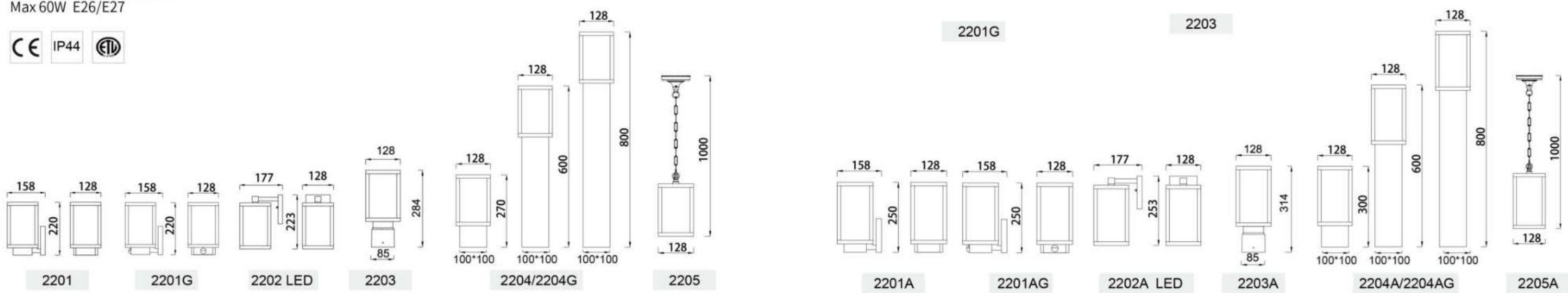
2201G



2203

Product feature:
 *Die Cast Aluminum Body
 *UV Resistant Powder Coating
 *Glass diffuser
 *Brass or Stainless Steel Fasten Parts

110V~240V/AC 50Hz/60Hz
 Max 60W E26/E27

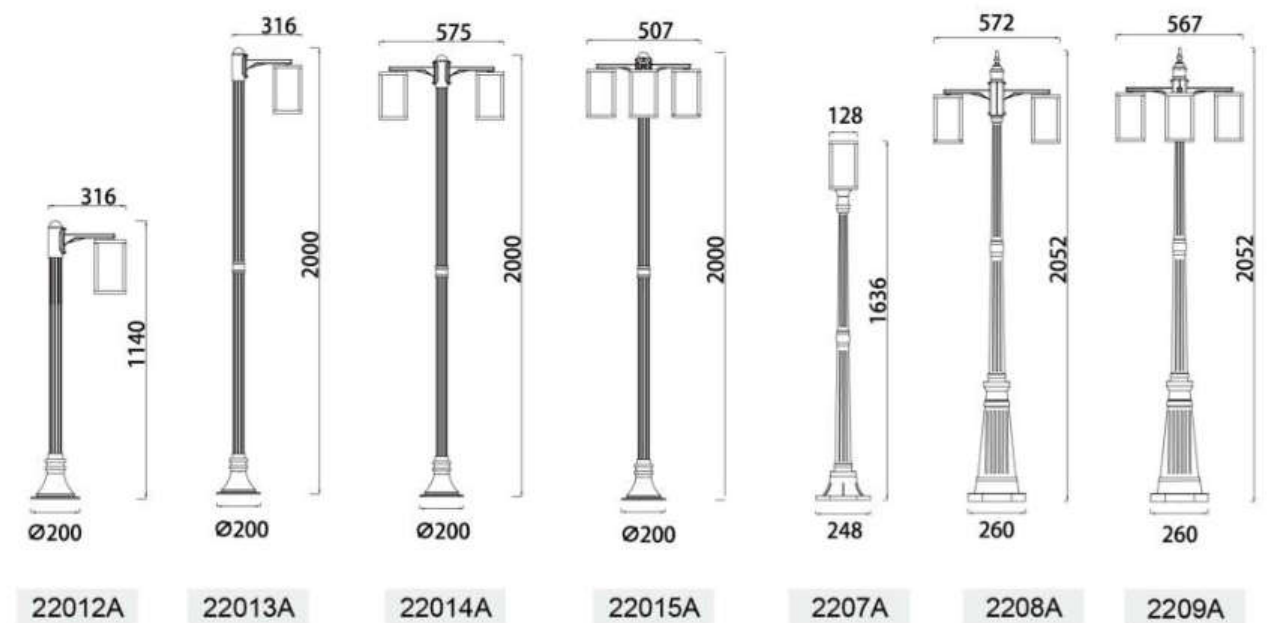
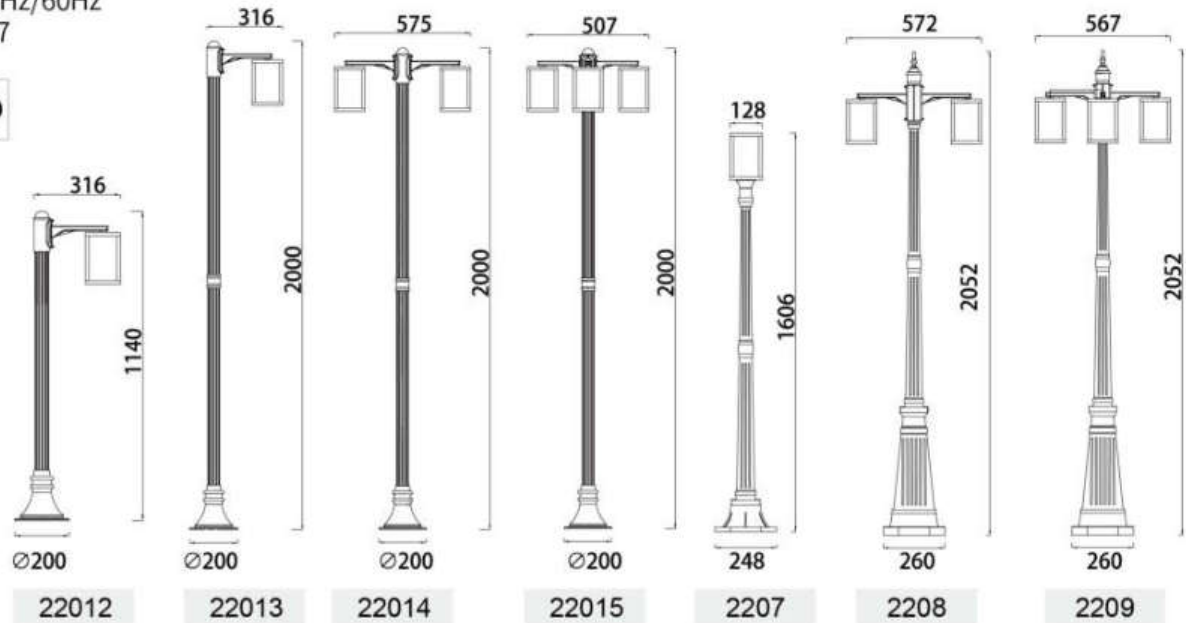




Product feature:

- *Die Cast Aluminum Body
- *UV Resistant Powder Coating
- *Glass diffuser
- *Brass or Stainless Steel Fasten Parts

110V~240V/AC 50Hz/60Hz
 Max 60W E26/E27





2205B



2201BG



2201B



2201B



2203B



2204B



2204BG

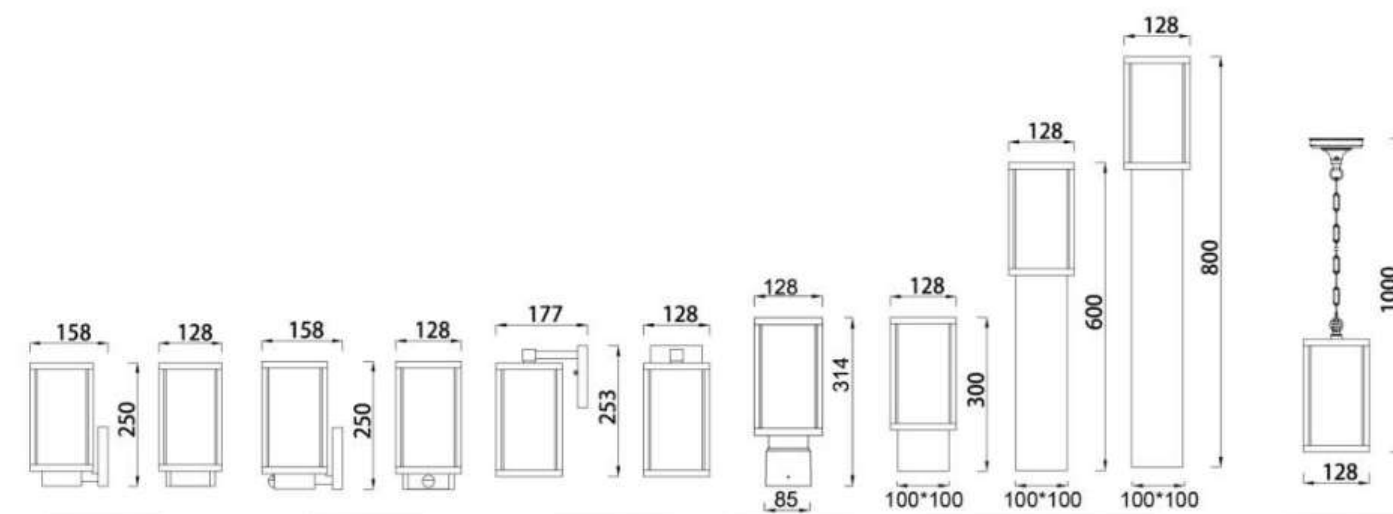
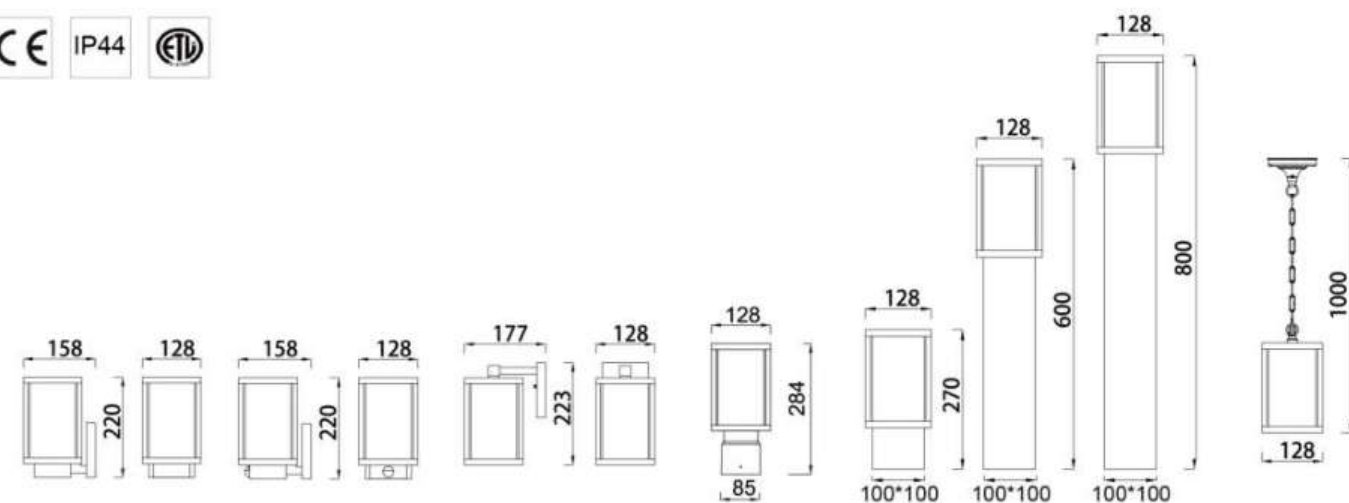


2204B

Product feature:

- *Die Cast Aluminum Body
- *UV Resistant Powder Coating
- *Glass diffuser
- *Brass or Stainless Steel Fasten Parts

110V~240V/AC 50Hz/60Hz
 Max 60W E26/E27





2207B



22012B

22013B

22014B

22015B

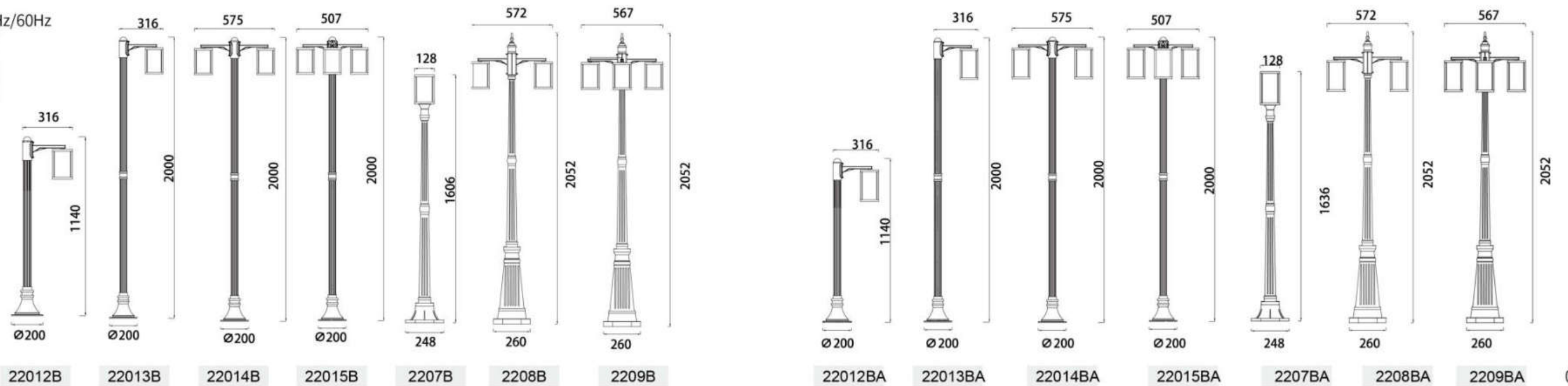
2208B

2209B

Product feature:

- *Die Cast Aluminum Body
- *UV Resistant Powder Coating
- *Glass diffuser
- *Brass or Stainless Steel Fasten Parts

110V~240V/AC 50Hz/60Hz
Max 60W E26/E27





2215



2211-2



2211-1



22112



2219

22115

2218

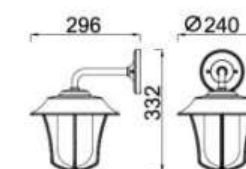
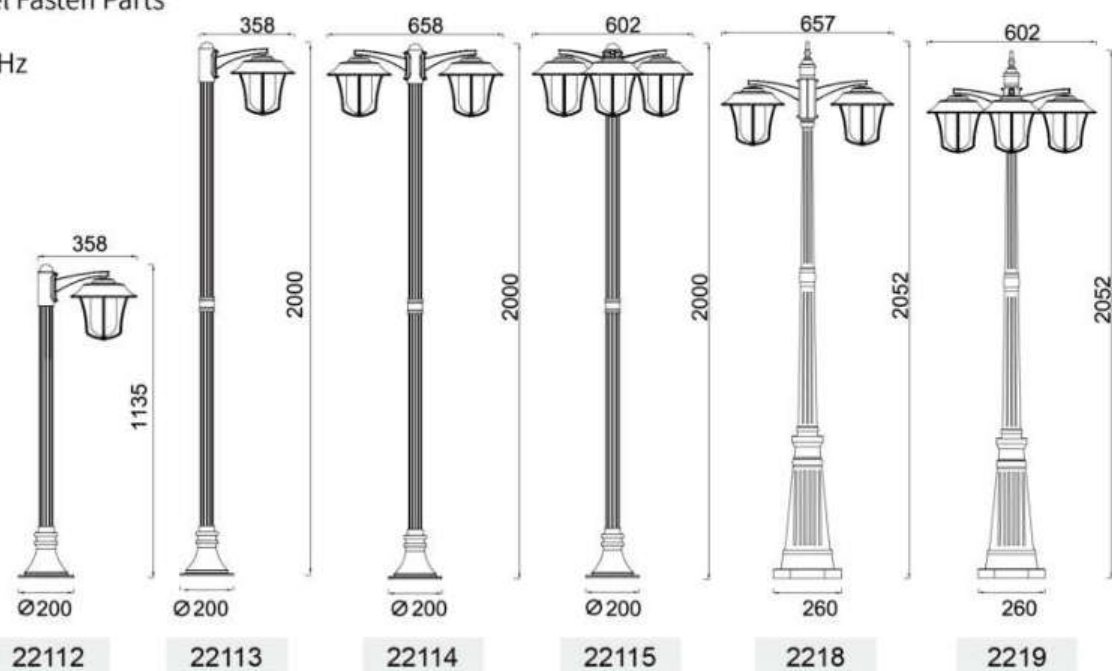
22113

22114

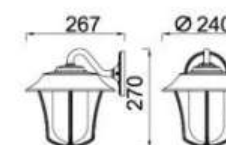
Product feature:

- *Die Cast Aluminum Body
- *UV Resistant Powder Coating
- *Glass diffuser
- *Brass or Stainless Steel Fasten Parts

110V~240V/AC 50Hz/60Hz
 Max 40W E26/E27



2211-1



2211-2



2215



2225



2221-1

2221-2



2221



2228

22215

22213

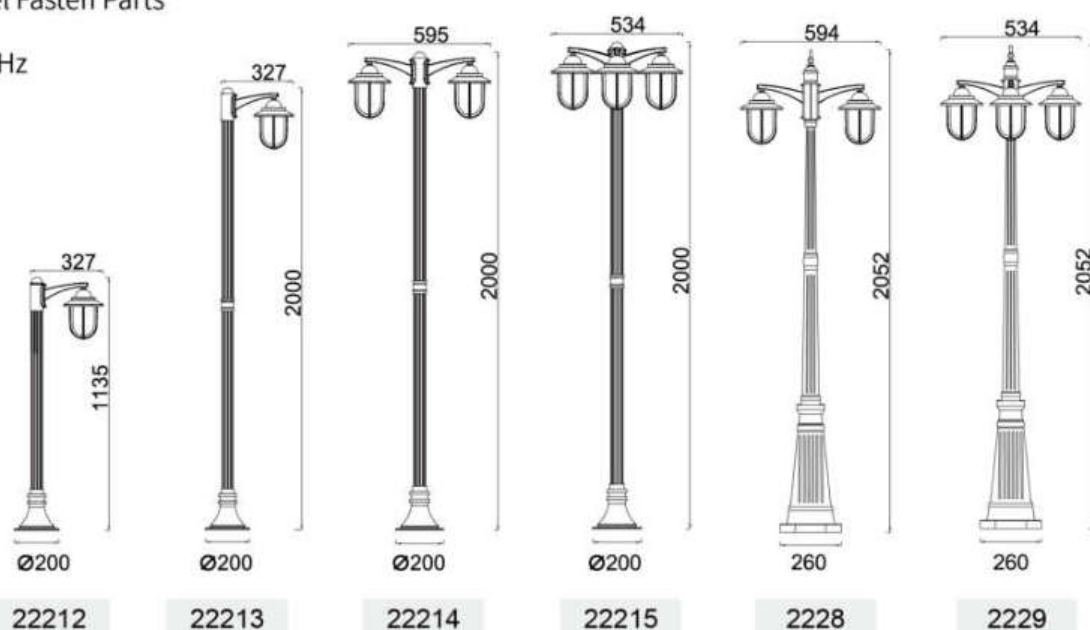
22214

2229

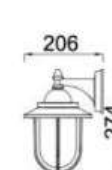
Product feature:

- *Die Cast Aluminum Body
- *UV Resistant Powder Coating
- *Glass diffuser
- *Brass or Stainless Steel Fasten Parts

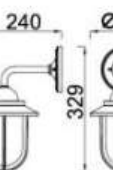
110V~240V/AC 50Hz/60Hz
 Max 40W E26/E27



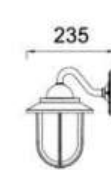
22212



2221



2221-1



2221-2



2225



2231-1



2231A



2231-1



2233



2234



2234AG



2234

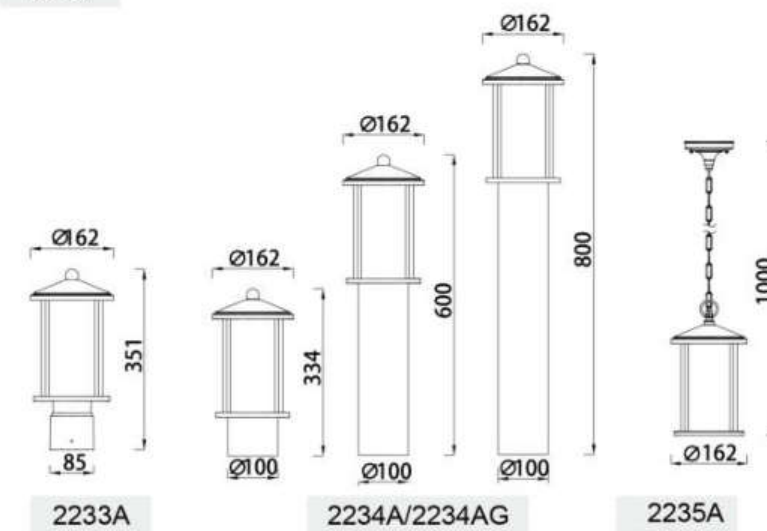
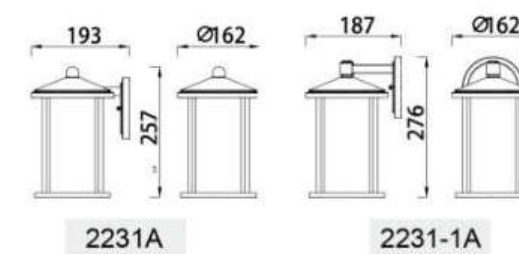
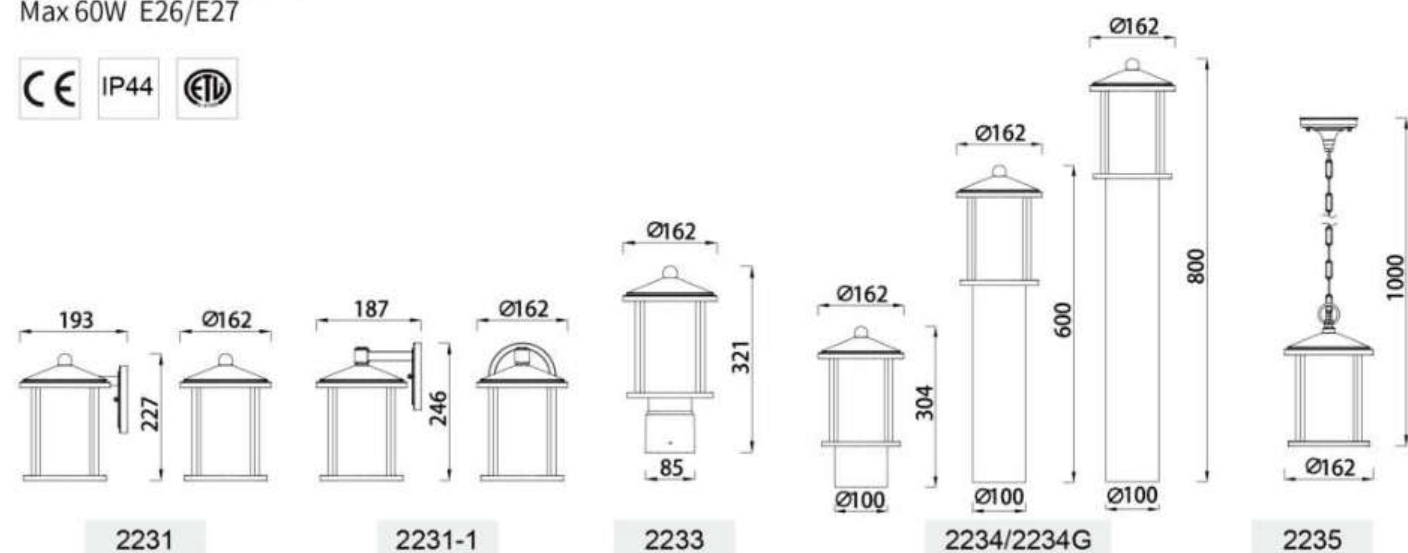


2235

Product feature:

- *Die Cast Aluminum Body
- *UV Resistant Powder Coating
- *Glass diffuser
- *Brass or Stainless Steel Fasten Parts

110V~240V/AC 50Hz/60Hz
 Max 60W E26/E27





2237



22312A

22313A

22314A

22315A

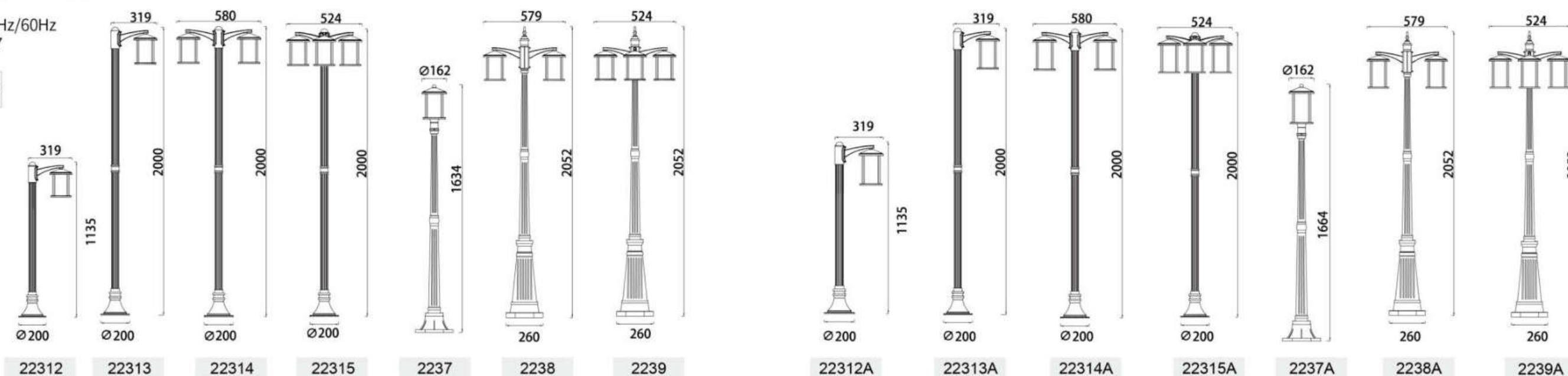
2239A

2238A

Product feature:

- *Die Cast Aluminum Body
- *UV Resistant Powder Coating
- *Glass diffuser
- *Brass or Stainless Steel Fasten Parts

110V~240V/AC 50Hz/60Hz
 Max 60W E26/E27





22512



2255



2251-1

2251-2



2251



2259

22514

2258

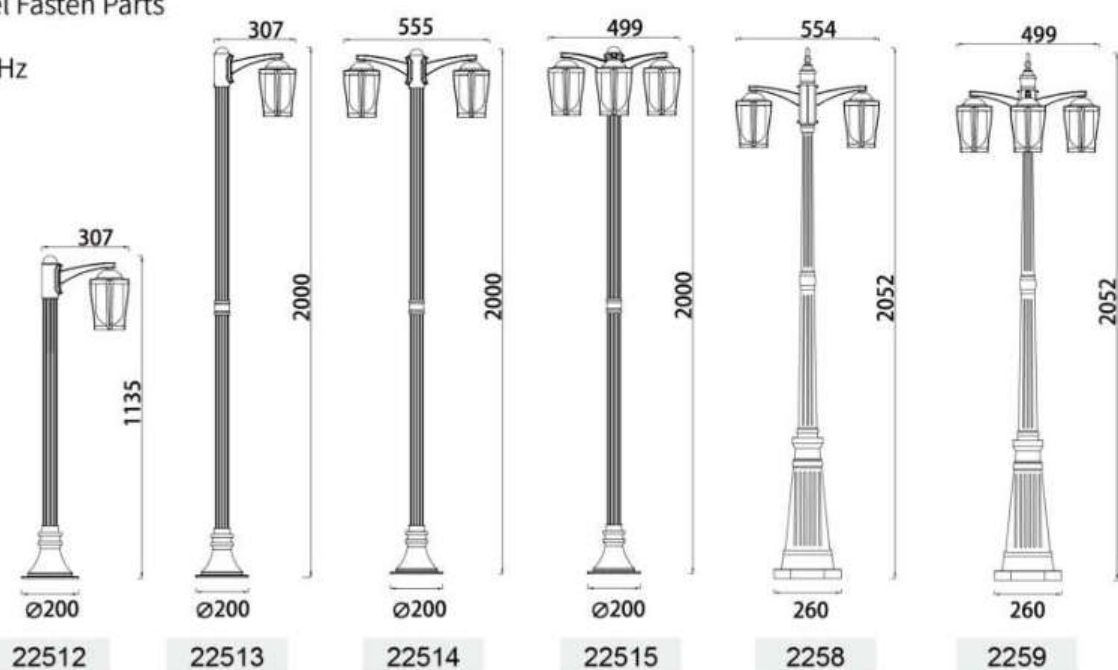
22515

22513

Product feature:

- *Die Cast Aluminum Body
- *UV Resistant Powder Coating
- *Glass diffuser
- *Brass or Stainless Steel Fasten Parts

110V~240V/AC 50Hz/60Hz
 Max40W E26/E27





2261A



2261-1



2261-1A



2264AG



2264A



2265A



2263A

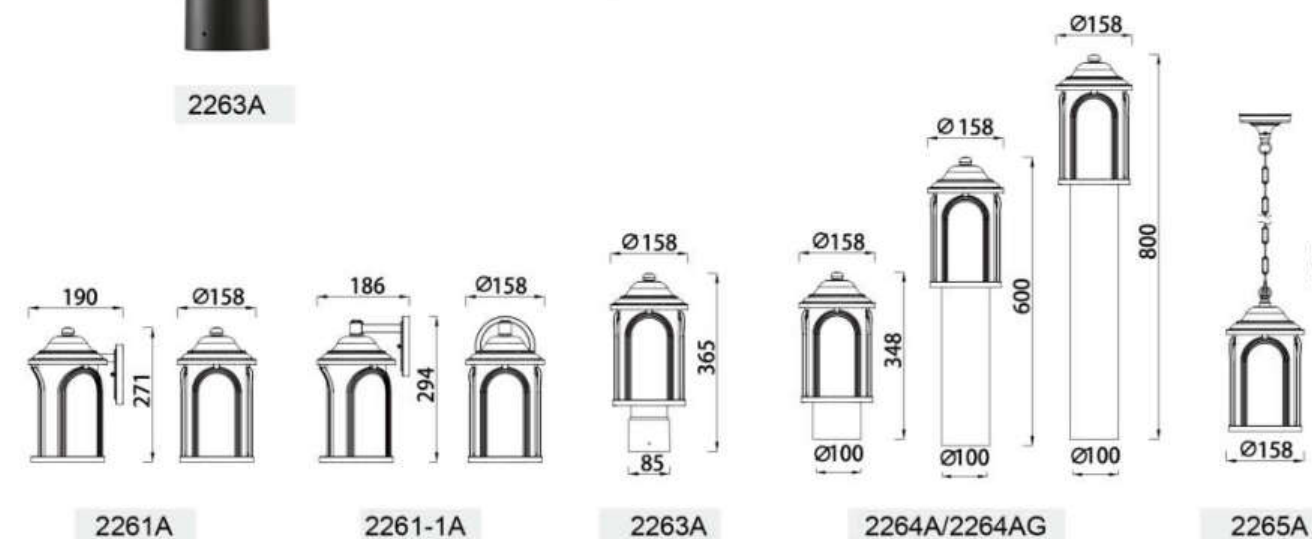
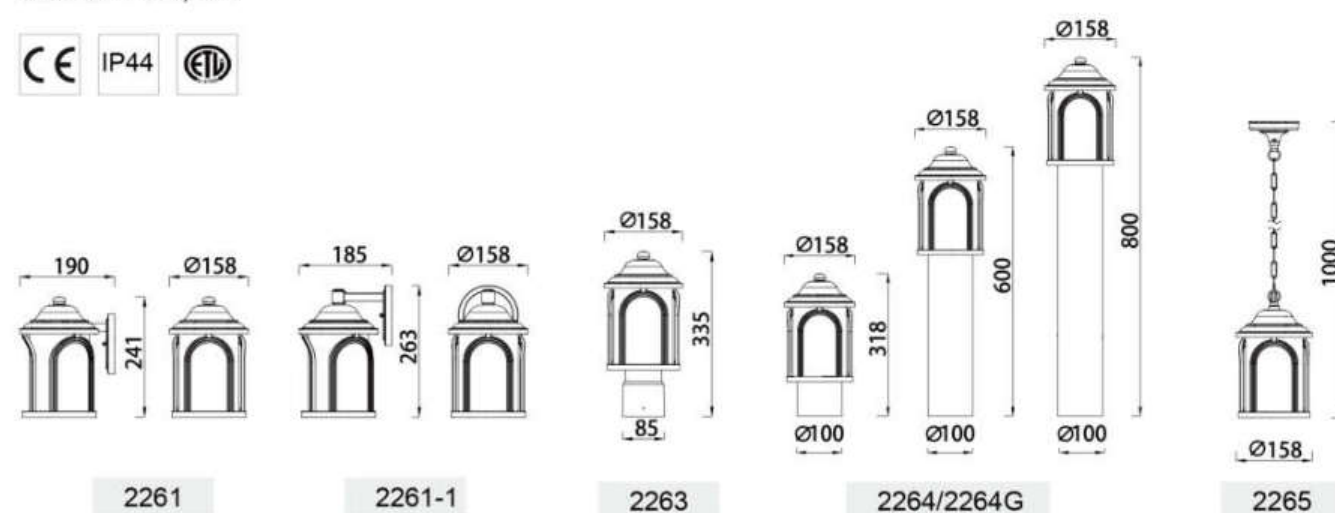


2264A

Product feature:

- *Die Cast Aluminum Body
- *UV Resistant Powder Coating
- *Glass diffuser
- *Brass or Stainless Steel Fasten Parts

110V~240V/AC 50Hz/60Hz
 Max 60W E26/E27





2267A



22612A

22613A

22614A

22615A

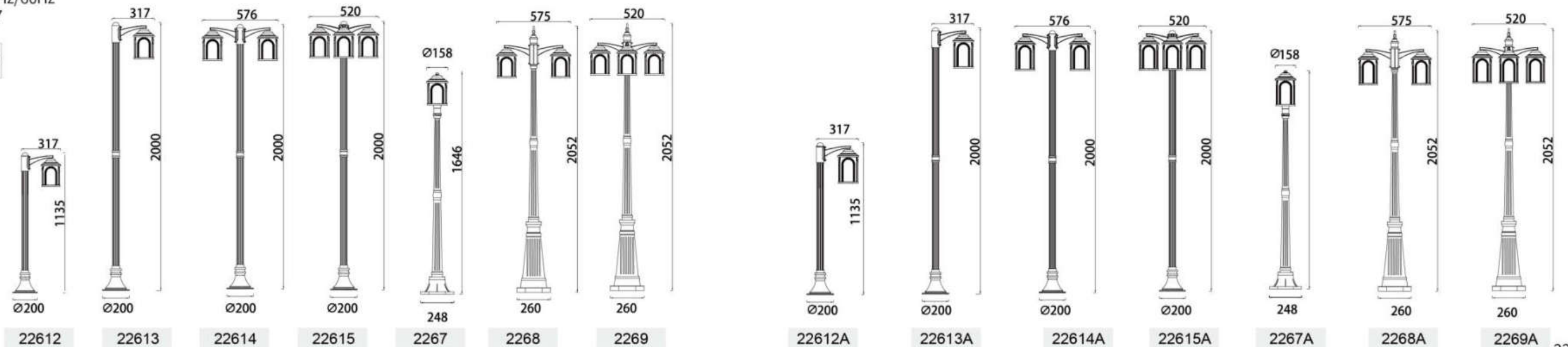
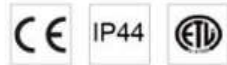
2268A

2269A

Product feature:

- *Die Cast Aluminum Body
- *UV Resistant Powder Coating
- *Glass diffuser
- *Brass or Stainless Steel Fasten Parts

110V~240V/AC 50Hz/60Hz
 Max 60W E26/E27





2281



2281A



2281-1



2284AG



2285A



2283



2284

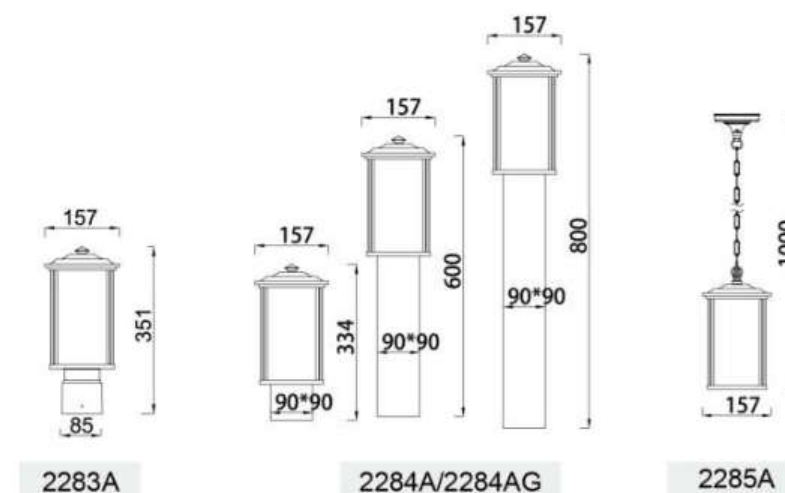
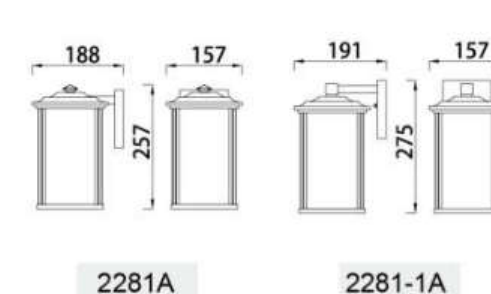
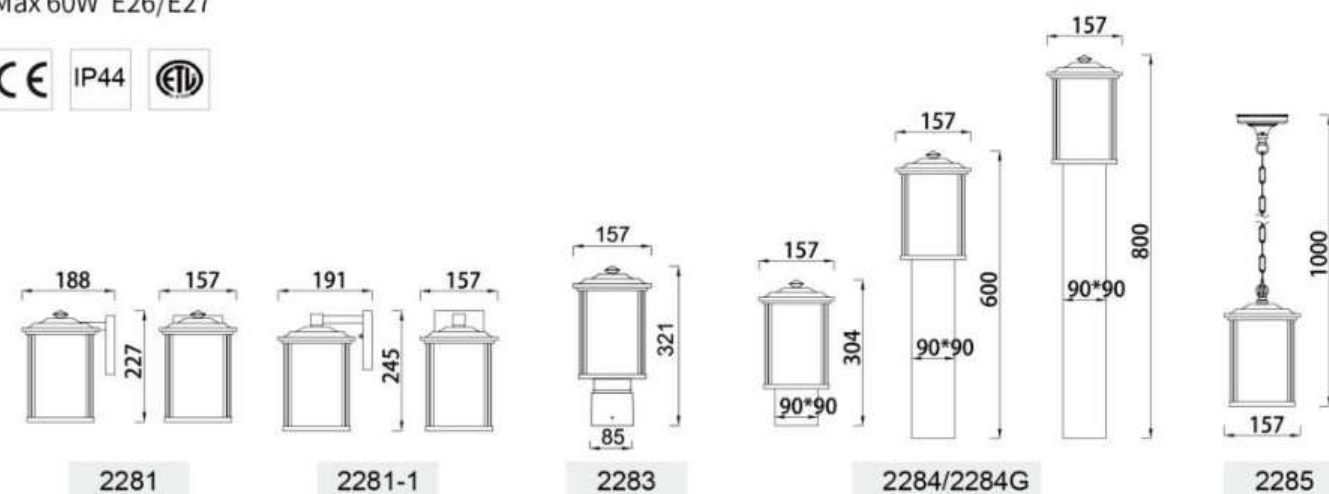


2284

Product feature:

- *Die Cast Aluminum Body
- *UV Resistant Powder Coating
- *Glass diffuser
- *Brass or Stainless Steel Fasten Parts

110V~240V/AC 50Hz/60Hz
 Max 60W E26/E27





2287



22812

22813

22814

22815

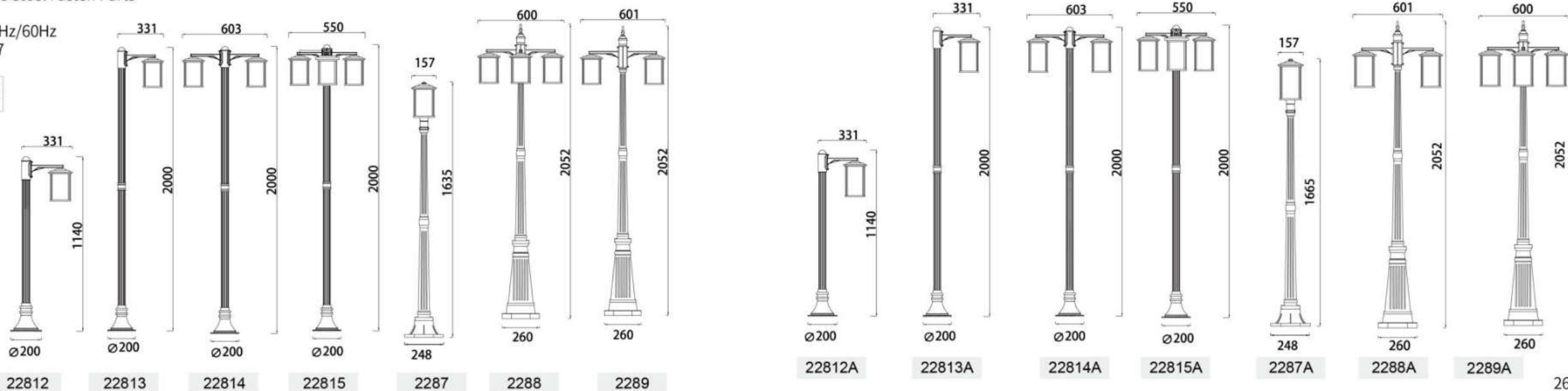
2288

2289

Product feature:

- *Die Cast Aluminum Body
- *UV Resistant Powder Coating
- *Glass diffuser
- *Brass or Stainless Steel Fasten Parts

110V~240V/AC 50Hz/60Hz
 Max 60W E26/E27





<http://www.chinalamp.com>
<http://www.fourstarlamps.com>



2291

2291-1

2291



2291A



2295



2294AG



2294



2294

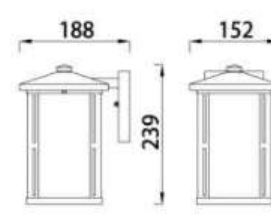
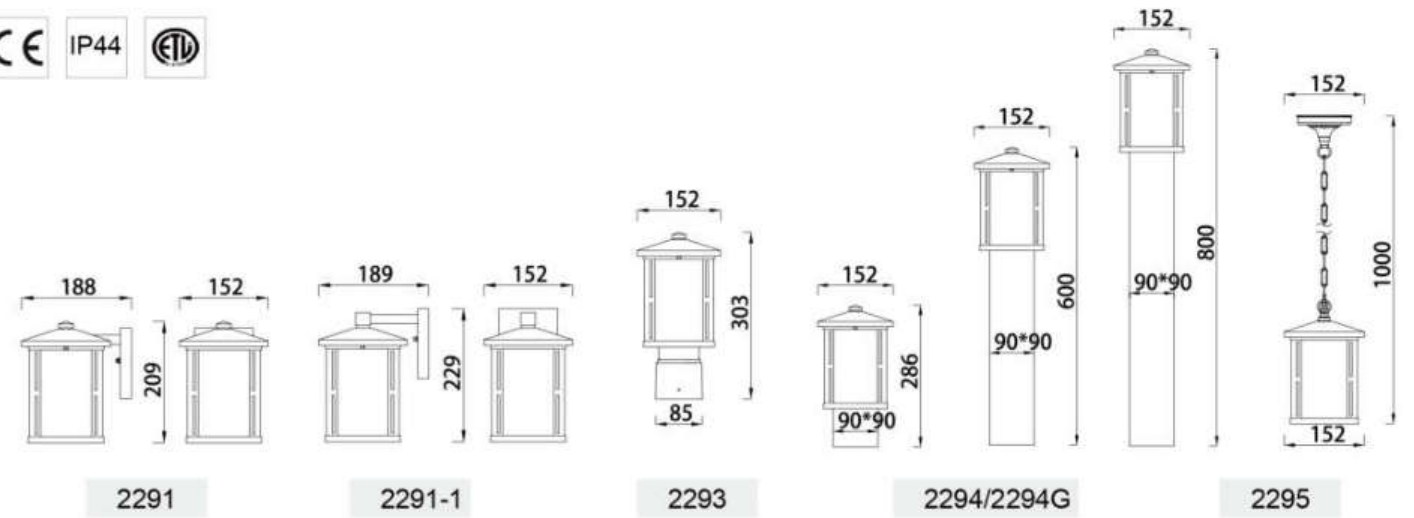


2293

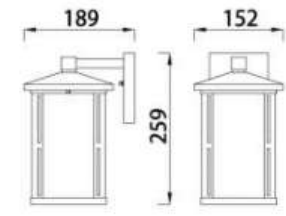
Product feature:

- *Die Cast Aluminum Body
- *UV Resistant Powder Coating
- *Glass diffuser
- *Brass or Stainless Steel Fasten Parts

110V~240V/AC 50Hz/60Hz
 Max 60W E26/E27



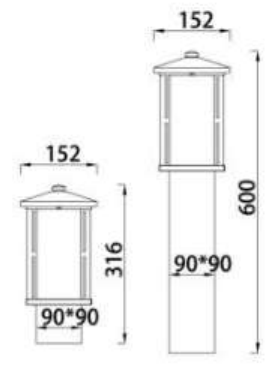
2291A



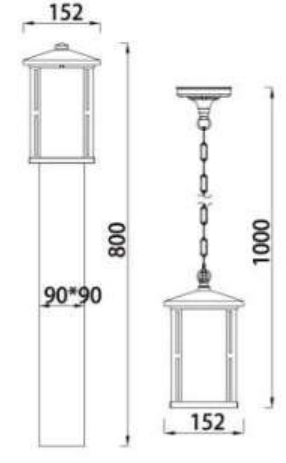
2291-1A



2293A



2294A/2294AG



2295A



2297



22912



22913



22914



22915



2298

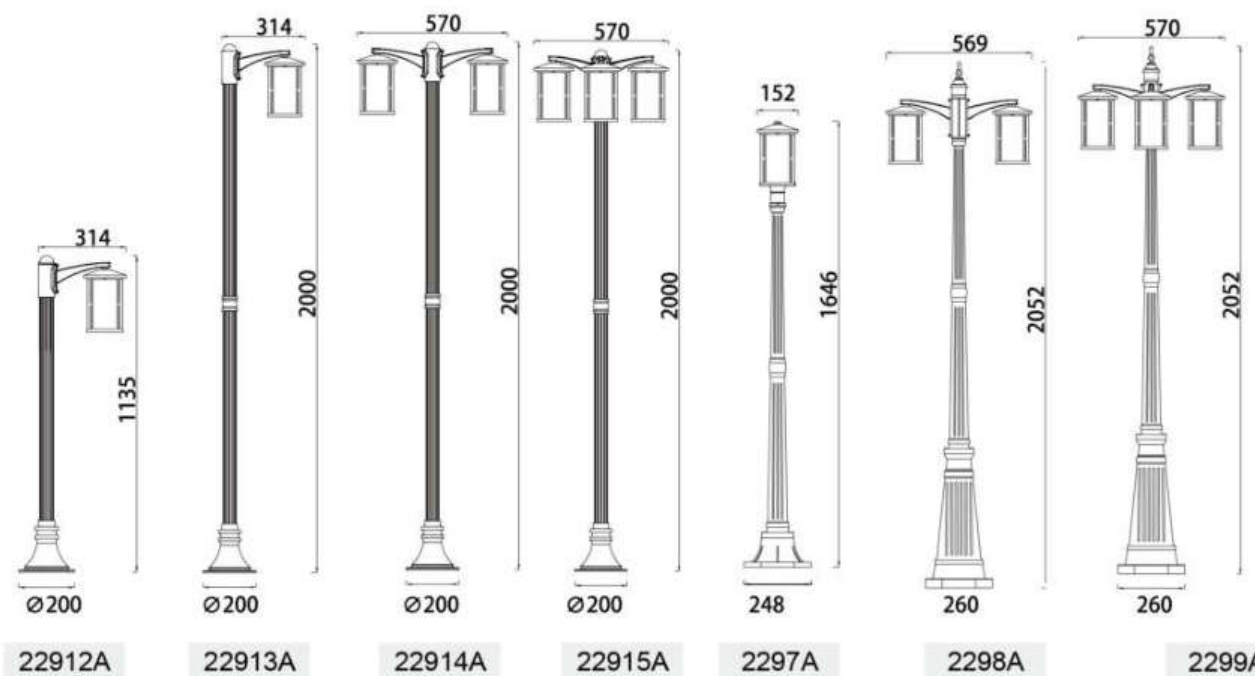
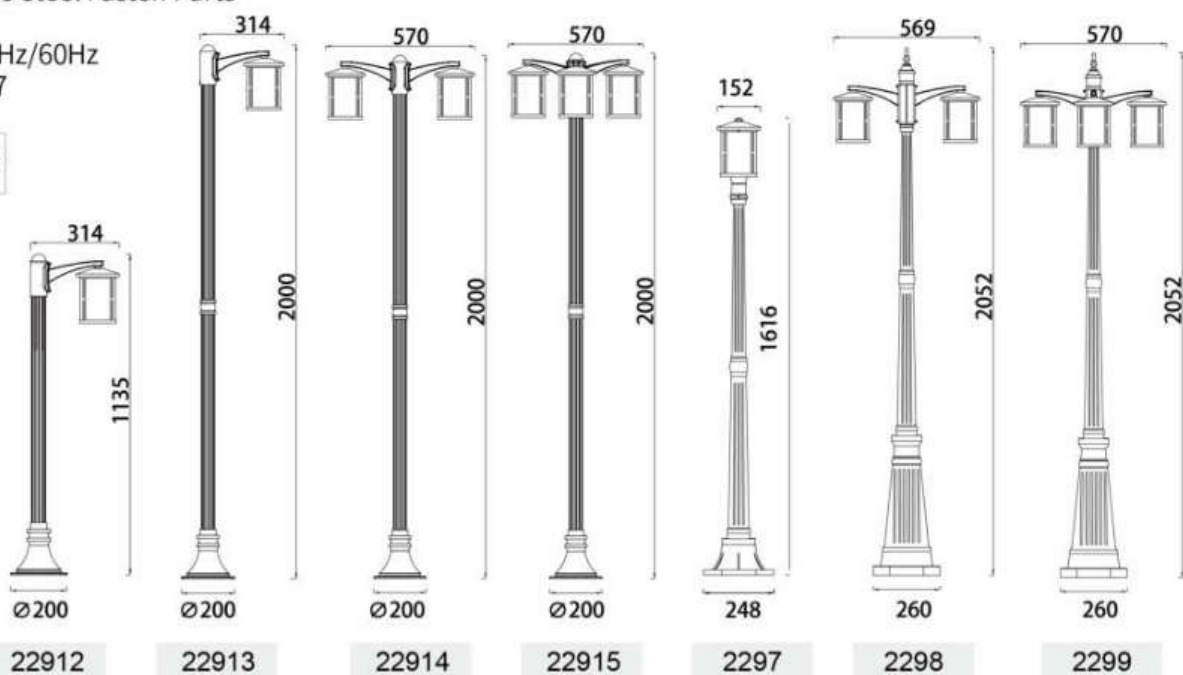


2299

Product feature:

- *Die Cast Aluminum Body
- *UV Resistant Powder Coating
- *Glass diffuser
- *Brass or Stainless Steel Fasten Parts

110V~240V/AC 50Hz/60Hz
 Max 60W E26/E27





2152



2152

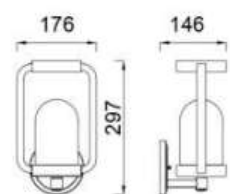


2151

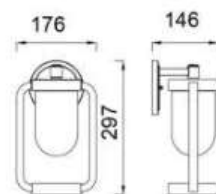
Product feature:

- *Die Cast Aluminum Body
- *UV Resistant Powder Coating
- *Glass diffuser
- *Brass or Stainless Steel Fasten Parts

110V~240V/AC 50Hz/60Hz
 Max 40W E26/E27



2151



2152



2153



2155



2153



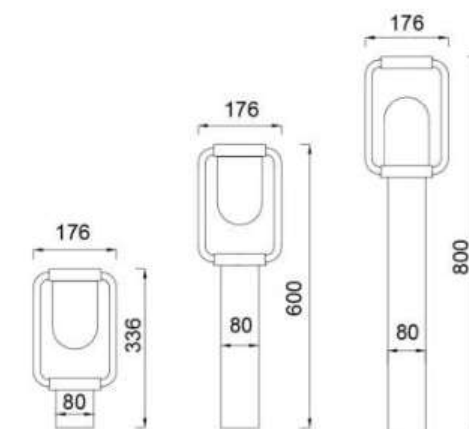
2154



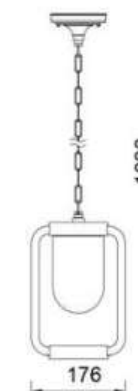
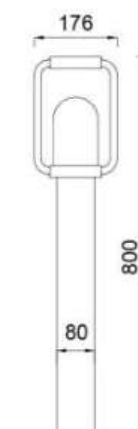
2154G



2154



2154/2154G



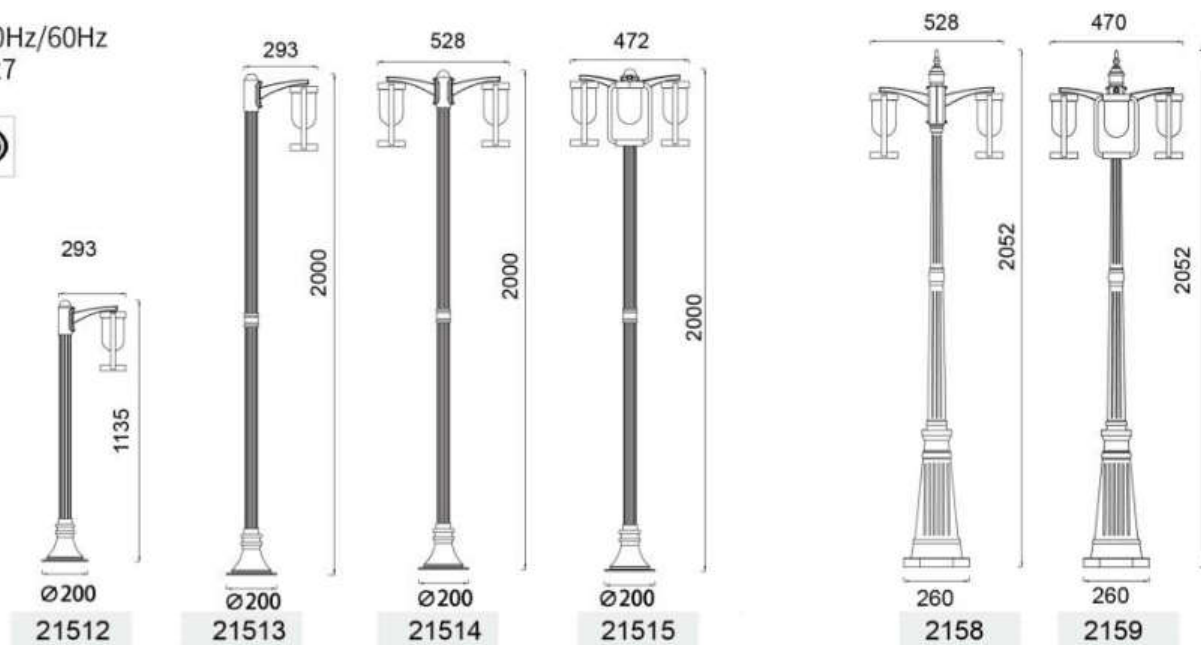
2155



Product feature:

- *Die Cast Aluminum Body
- *UV Resistant Powder Coating
- *Glass diffuser
- *Brass or Stainless Steel Fasten Parts

110V~240V/AC 50Hz/60Hz
 Max 40W E26/E27





2155A



2151A



2152A



2154A

2154AG

2154A

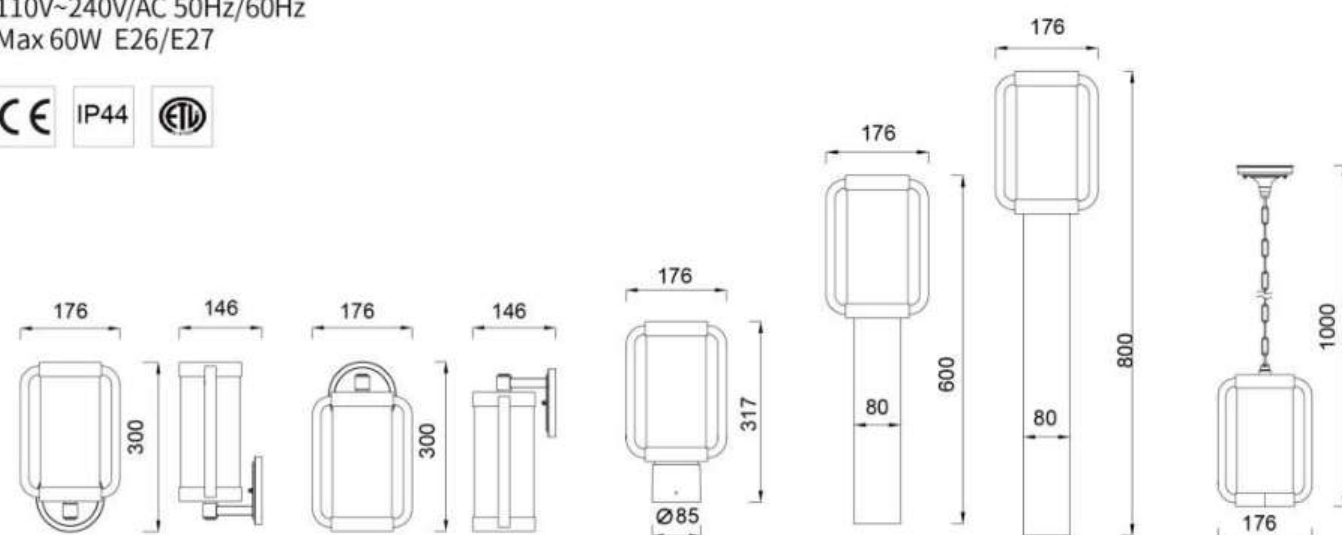


2153A

Product feature:

- *Die Cast Aluminum Body
- *UV Resistant Powder Coating
- *Glass diffuser
- *Brass or Stainless Steel Fasten Parts

110V~240V/AC 50Hz/60Hz
 Max 60W E26/E27



2151A

2152A

2153A

2154A/2154AG

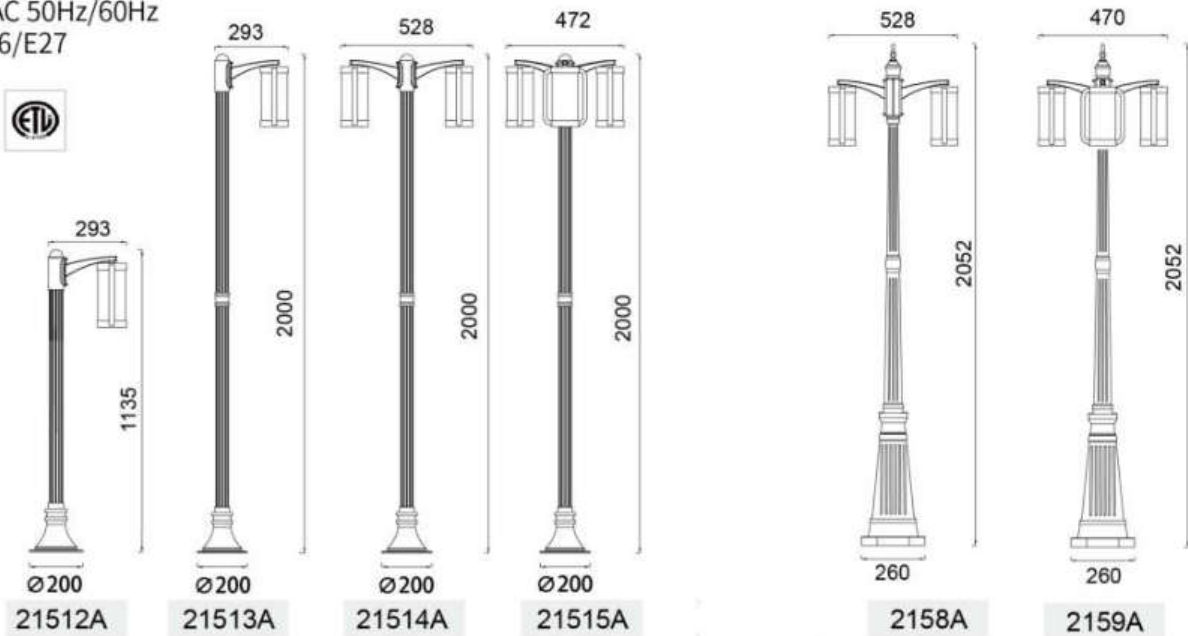
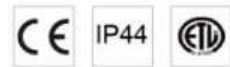
2155A

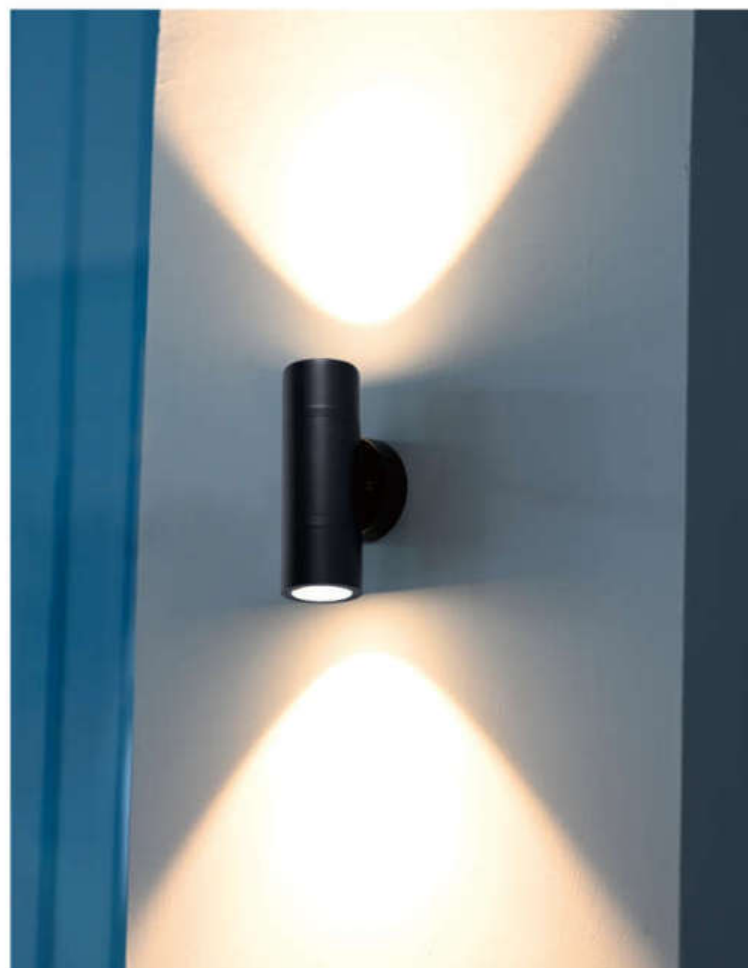


Product feature:

- *Die Cast Aluminum Body
- *UV Resistant Powder Coating
- *Glass diffuser
- *Brass or Stainless Steel Fasten Parts

110V~240V/AC 50Hz/60Hz
 Max 60W E26/E27





Q001

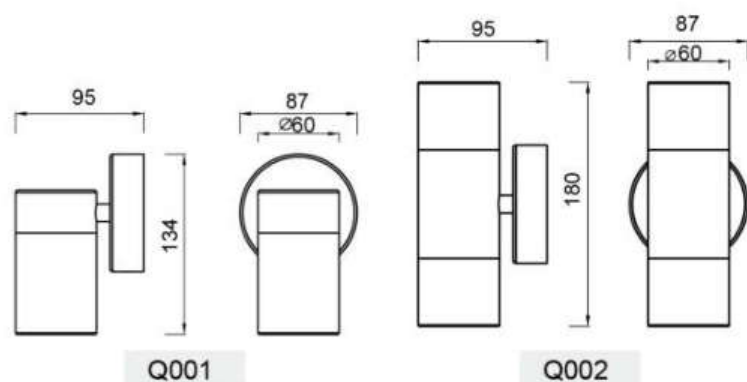


Q002

Product feature:

- *Die Cast Aluminum Body
- *UV Resistant Powder Coating
- *Glass diffuser
- *Brass or Stainless Steel Fasten Parts

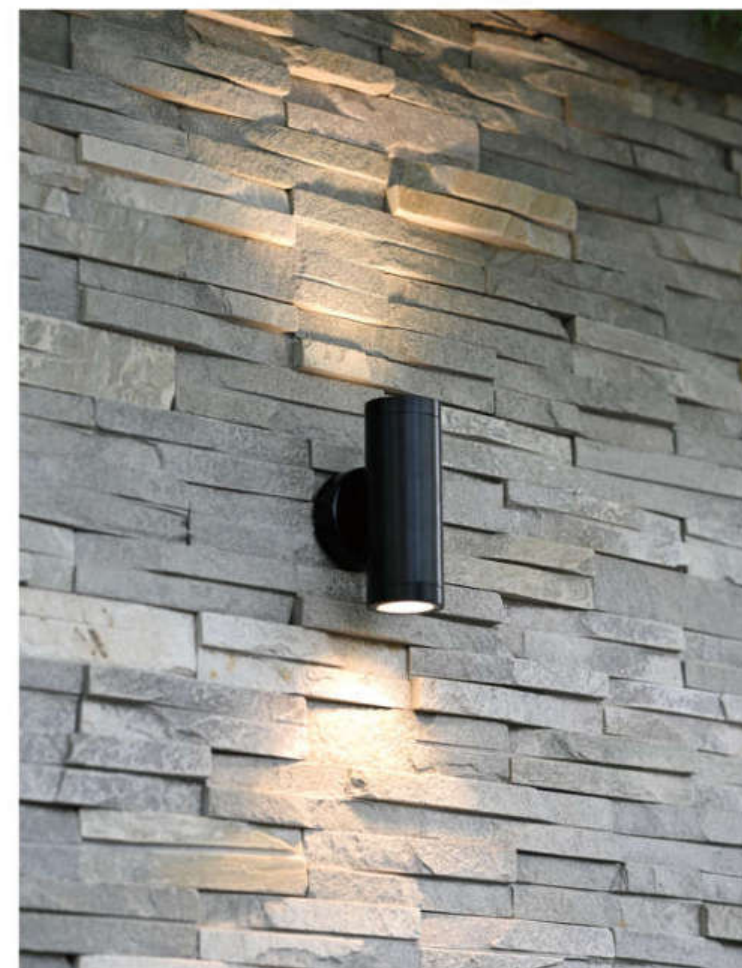
110V~240V/AC 50Hz/60Hz



Q001

Q002

Item No	watt	Keivin	Luminous flux	CRI
Q001	1x15W (GU10)	/	/	/
Q002	2x15W (GU10)	/	/	/



Q003

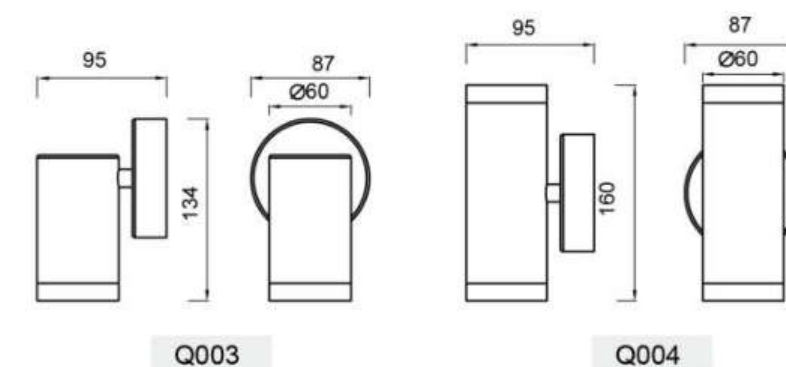


Q004

Product feature:

- *Die Cast Aluminum Body
- *UV Resistant Powder Coating
- *Glass diffuser
- *Brass or Stainless Steel Fasten Parts

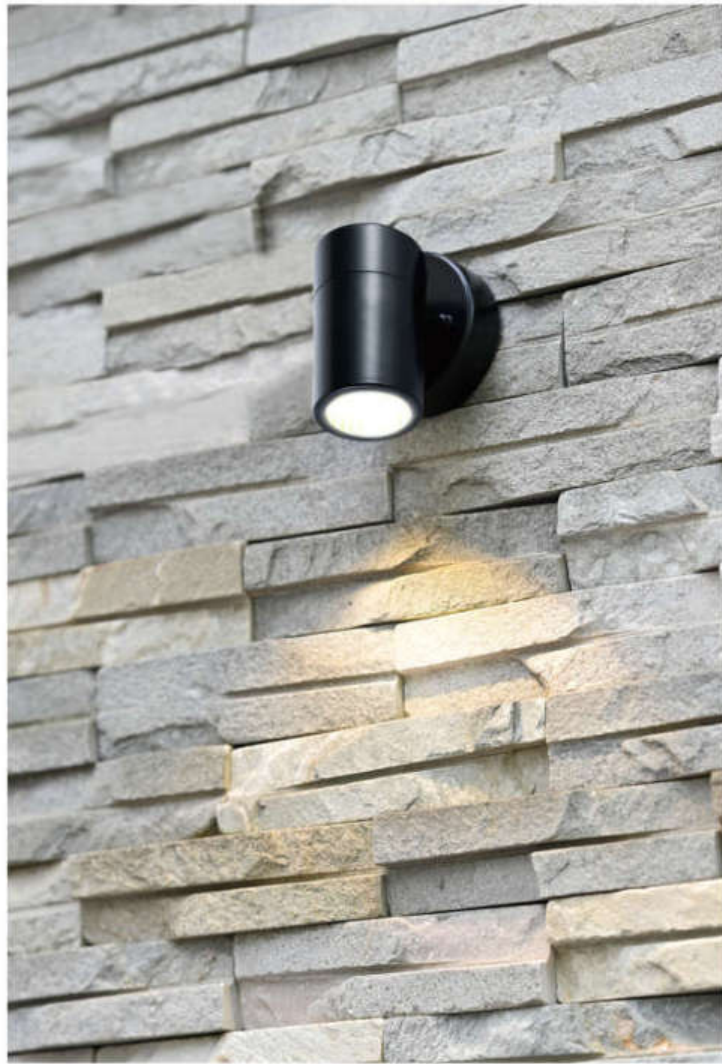
110V~240V/AC 50Hz/60Hz



Q003

Q004

Item No	watt	Keivin	Luminous flux	CRI
Q003	1X6W (LED)	3000-6500K	400lm	80
Q004	2x6W (LED)	3000-6500K	800lm	80



Q005

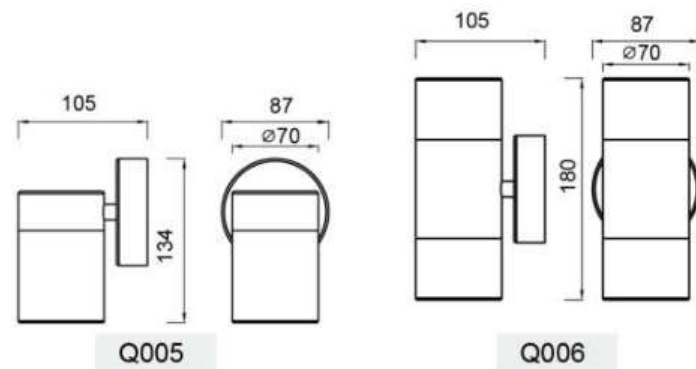


Q006

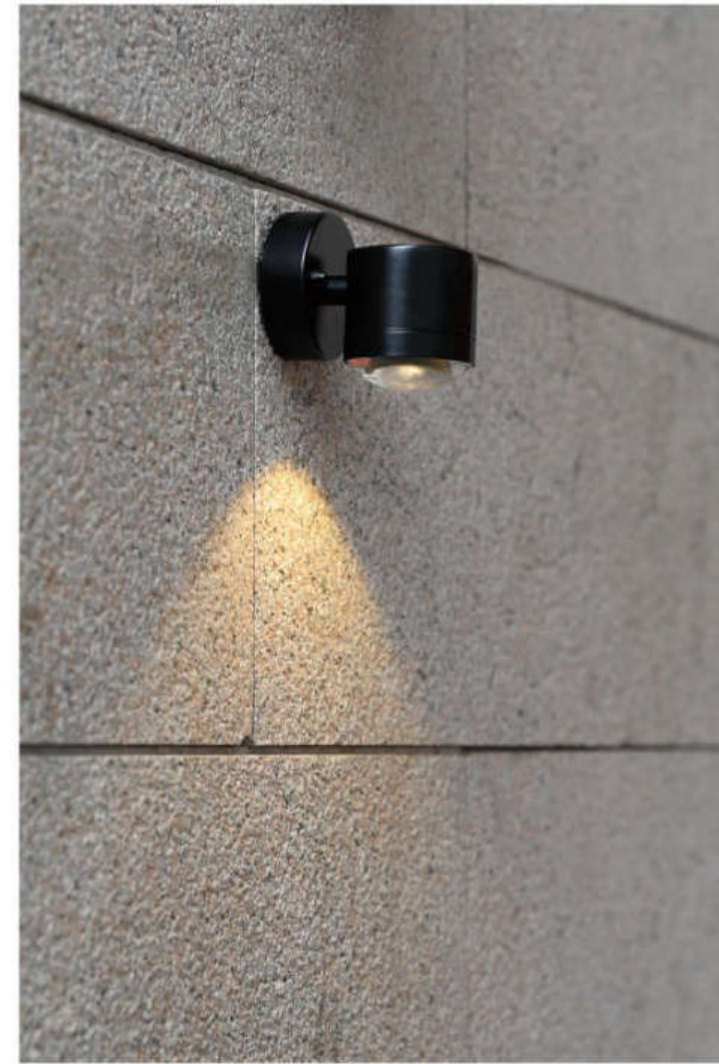
Product feature:

- *Die Cast Aluminum Body
- *UV Resistant Powder Coating
- *Glass diffuser
- *Brass or Stainless Steel Fasten Parts

110V~240V/AC 50Hz/60Hz



Item No	watt	Keivin	Luminous flux	CRI
Q005	1x15W (GU10)	/	/	/
Q006	2x15W (GU10)	/	/	/



Q007

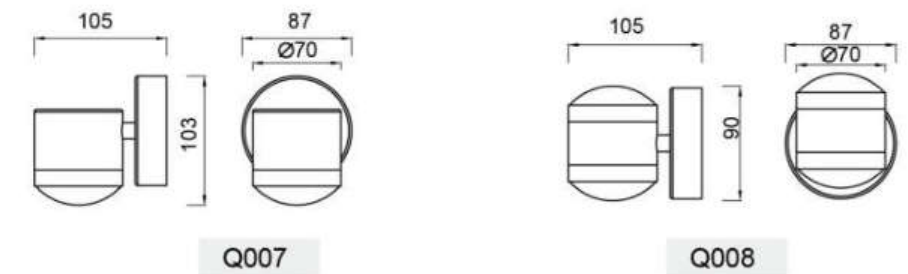


Q008

Product feature:

- *Die Cast Aluminum Body
- *UV Resistant Powder Coating
- *Glass diffuser
- *Brass or Stainless Steel Fasten Parts

110V~240V/AC 50Hz/60Hz



Item No	watt	Keivin	Luminous flux	CRI
Q007	1X6W (LED)	3000-6500K	400lm	80
Q008	2x6W (LED)	3000-6500K	800lm	80



Q009

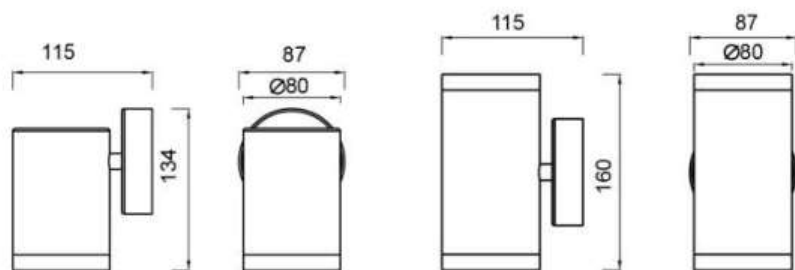


Q010

Product feature:

- *Die Cast Aluminum Body
- *UV Resistant Powder Coating
- *Glass diffuser
- *Brass or Stainless Steel Fasten Parts

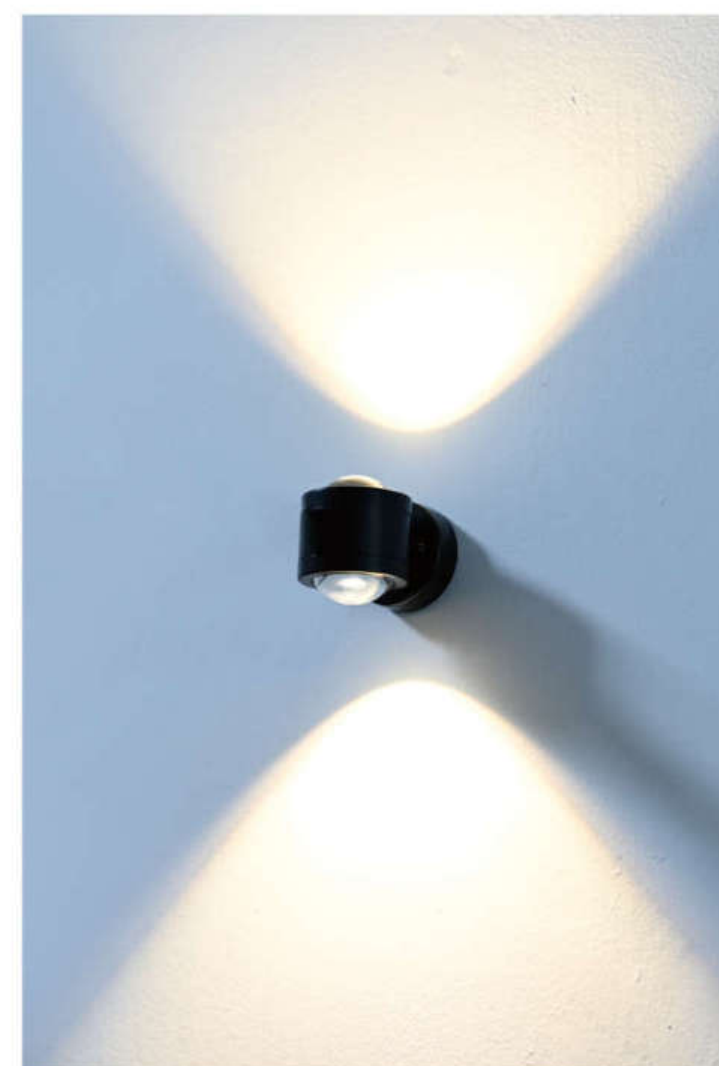
110V~240V/AC 50Hz/60Hz



Q009

Q010

Item No	watt	Keivin	Luminous flux	CRI
Q009	1X6W (LED)	3000-6500K	400lm	80
Q010	2x6W (LED)	3000-6500K	800lm	80



Q011

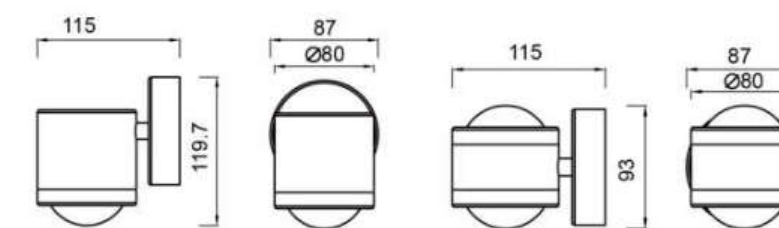


Q012

Product feature:

- *Die Cast Aluminum Body
- *UV Resistant Powder Coating
- *Glass diffuser
- *Brass or Stainless Steel Fasten Parts

110V~240V/AC 50Hz/60Hz



Q011

Q012

Item No	watt	Keivin	Luminous flux	CRI
Q011	1X6W (LED)	3000-6500K	400lm	80
Q012	2x6W (LED)	3000-6500K	800lm	80